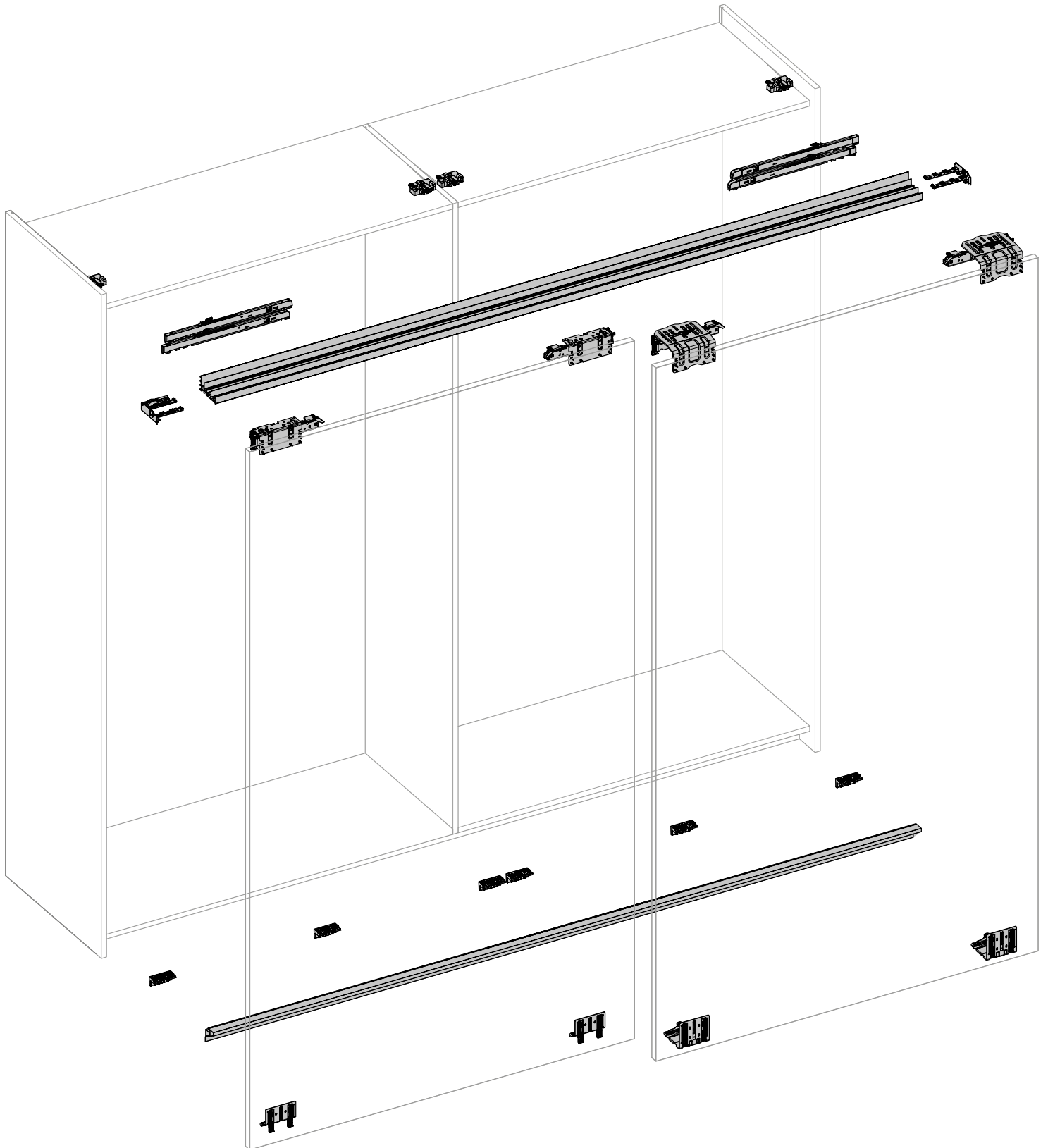
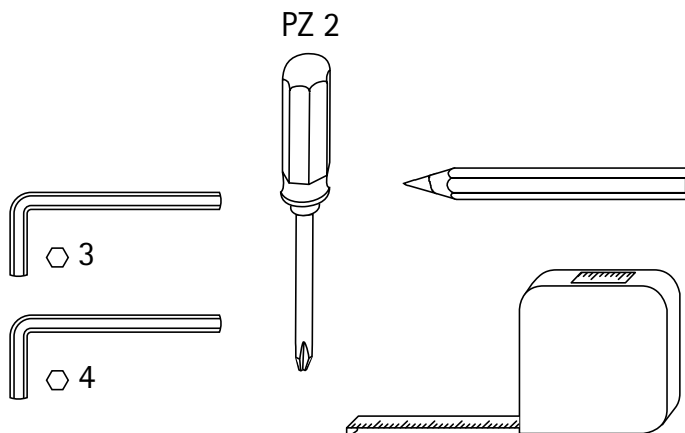
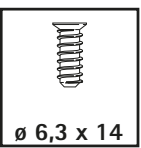
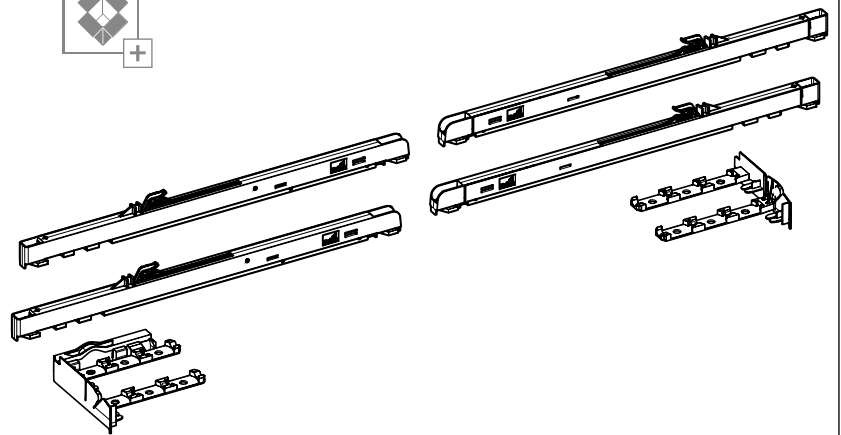
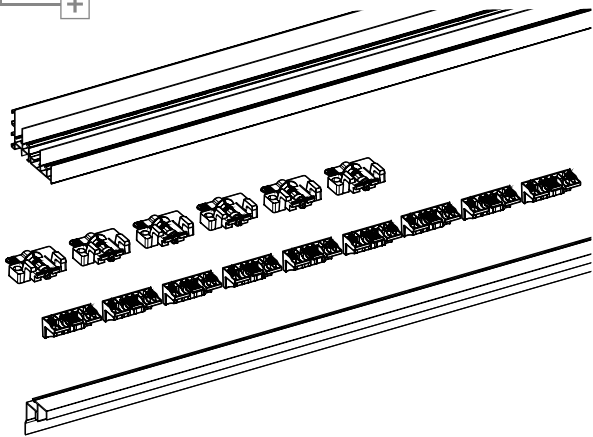
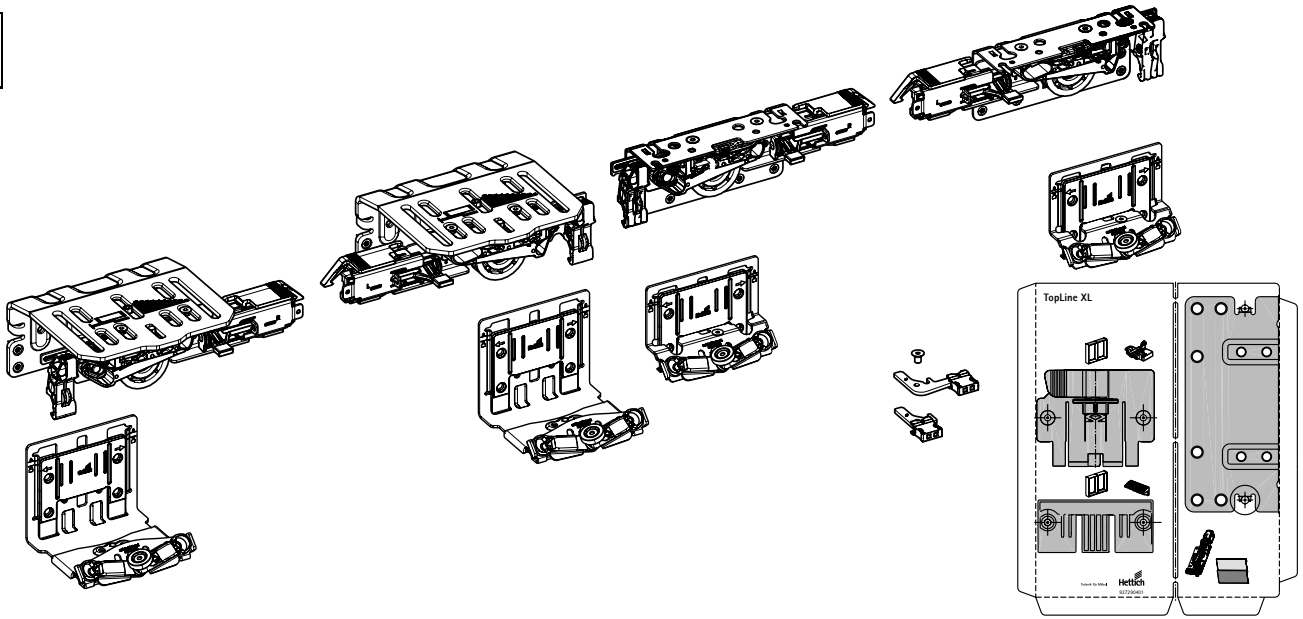
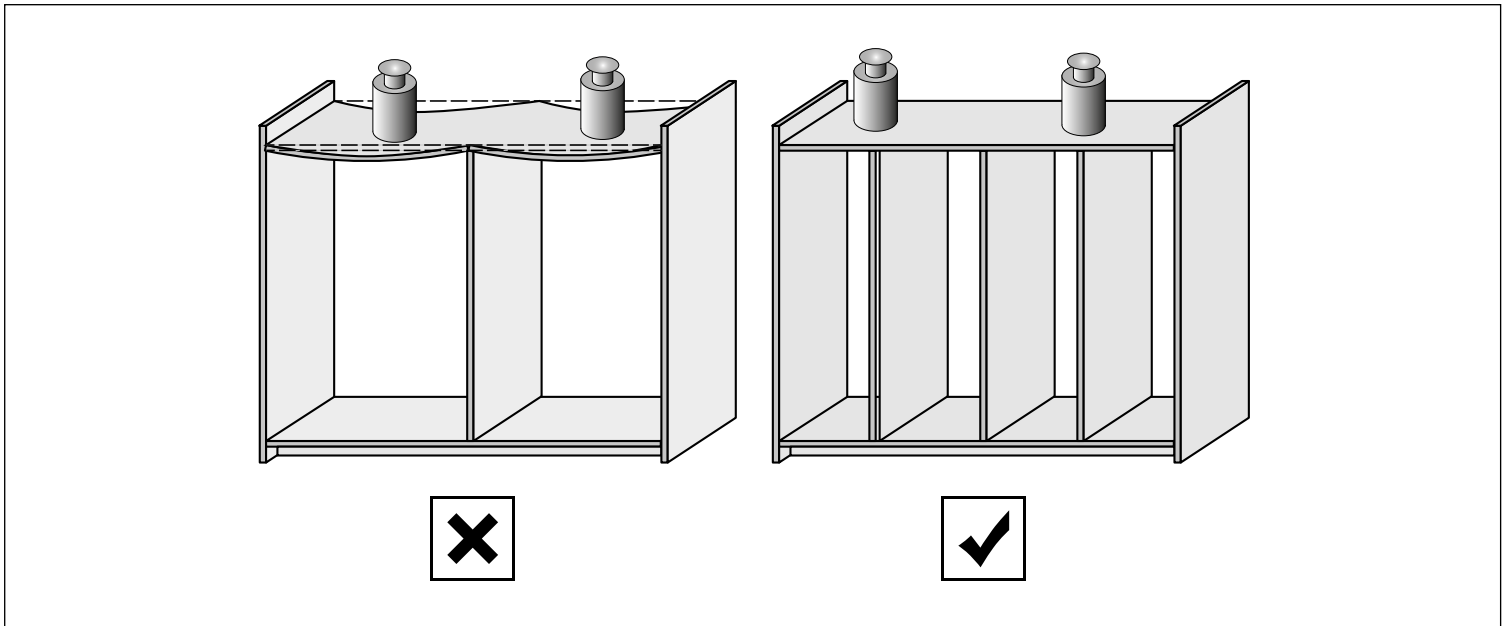
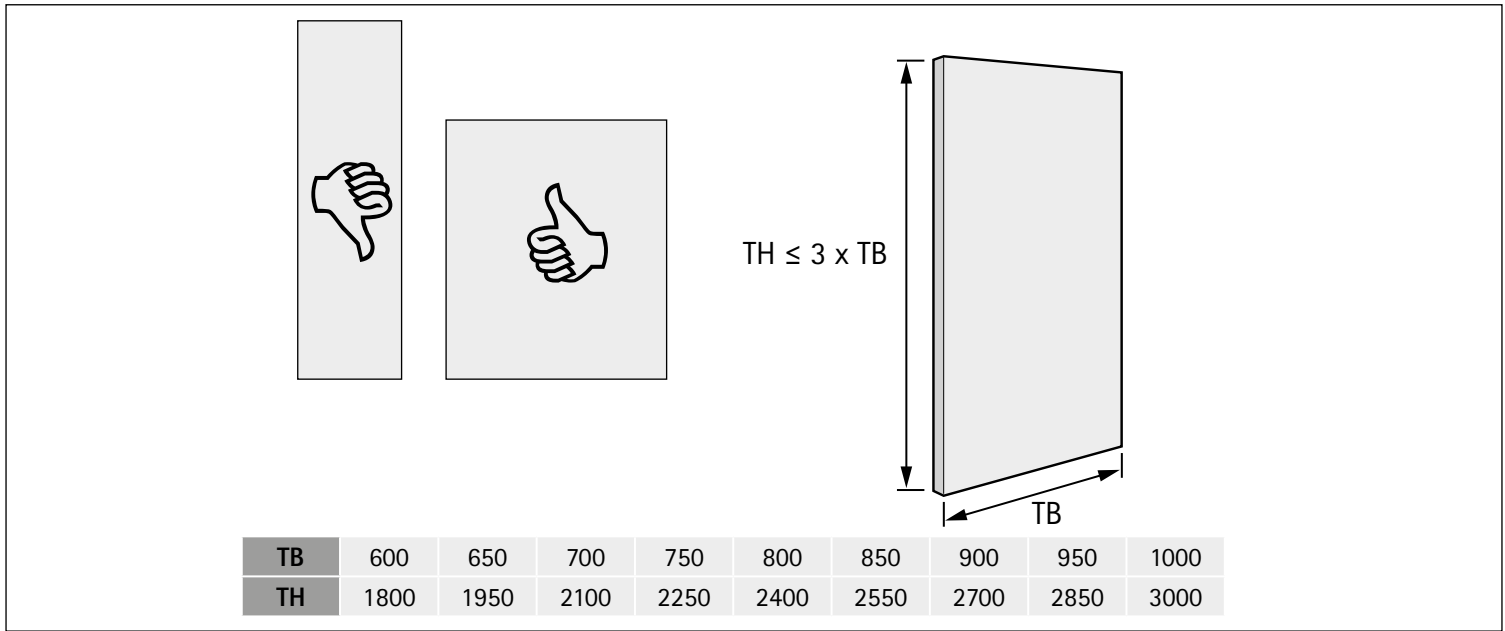
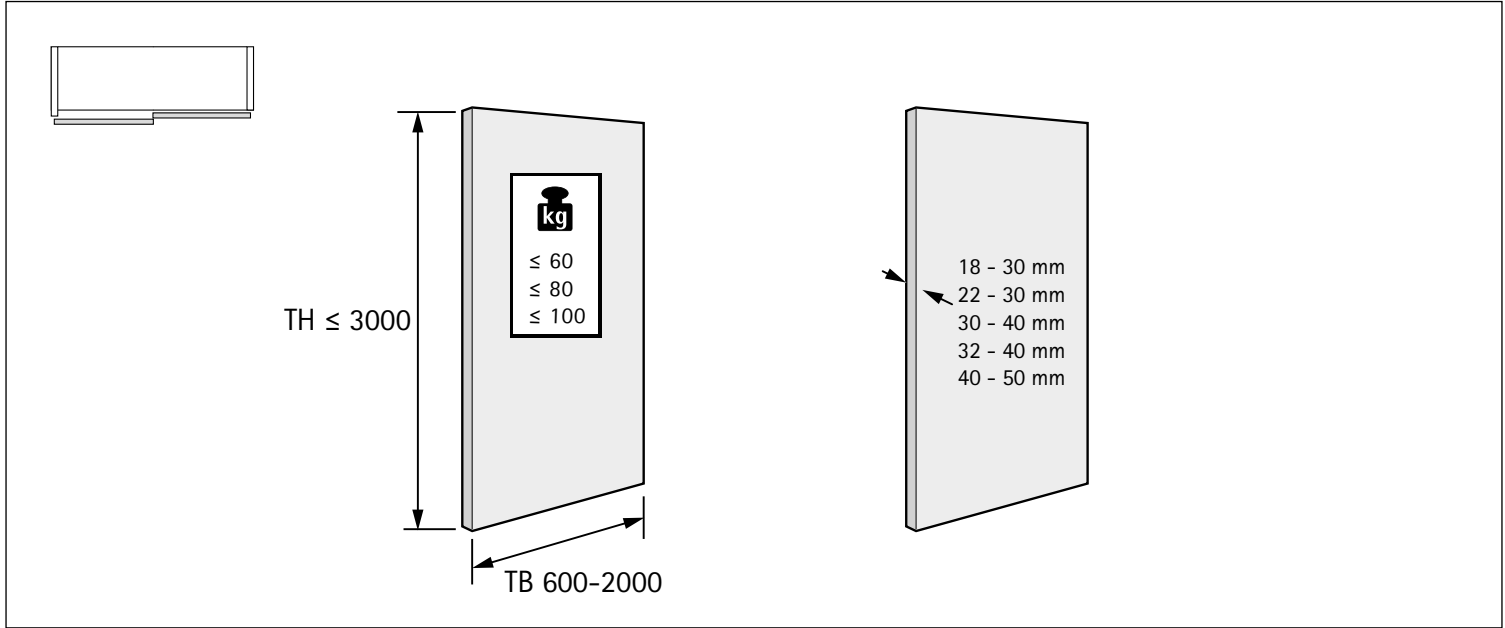




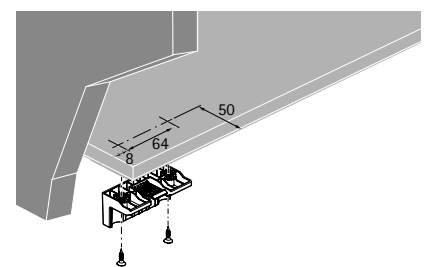
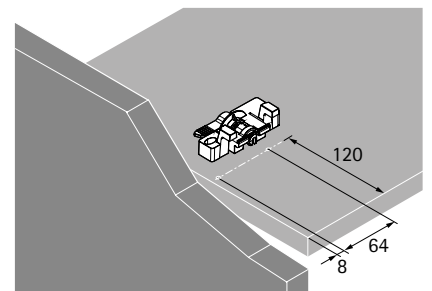
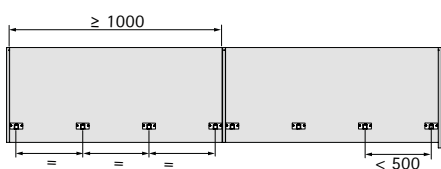
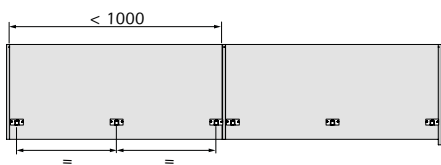
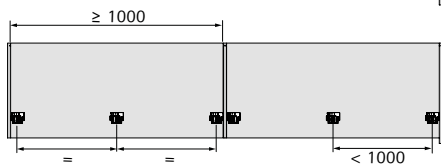
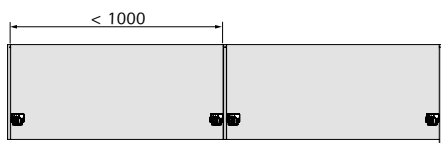
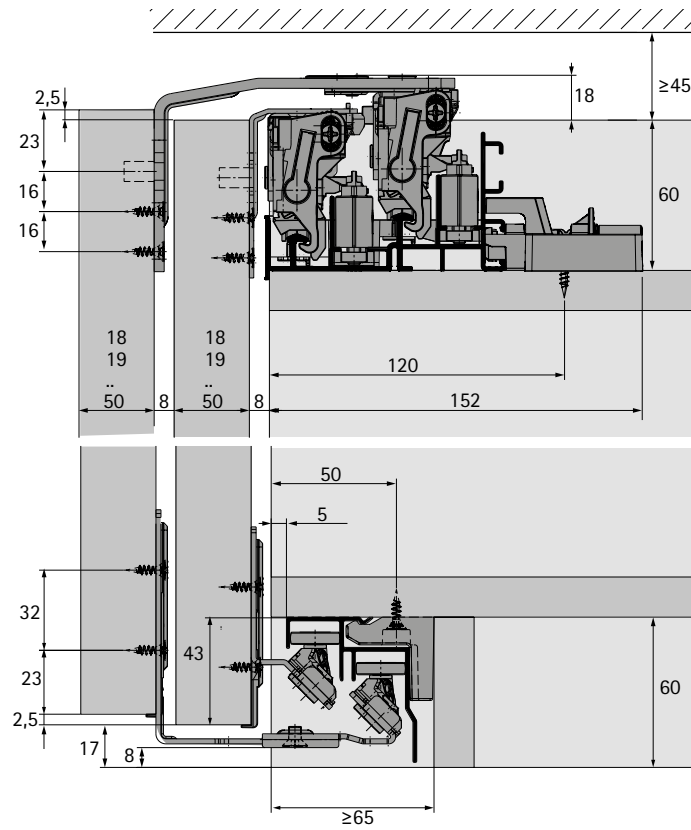
TopLine XL



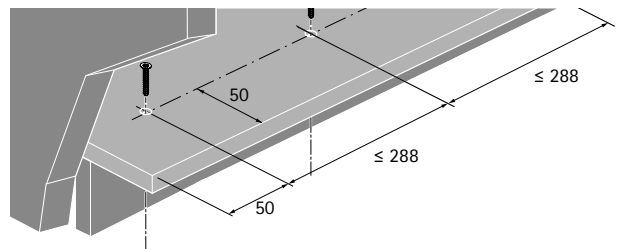
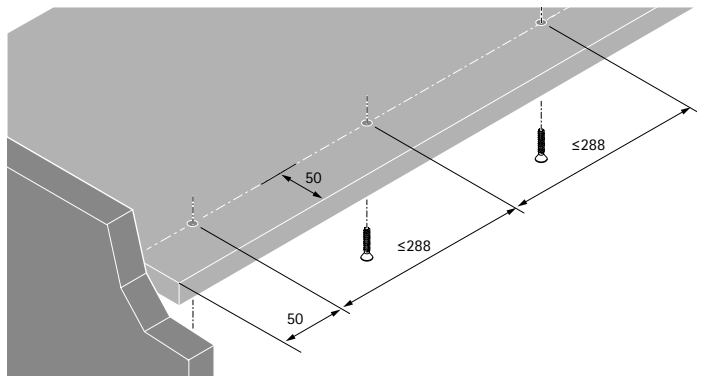
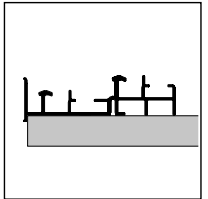
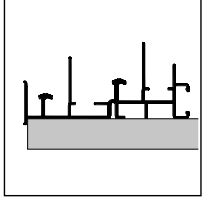
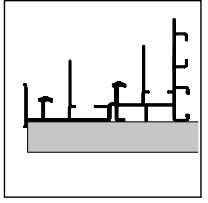
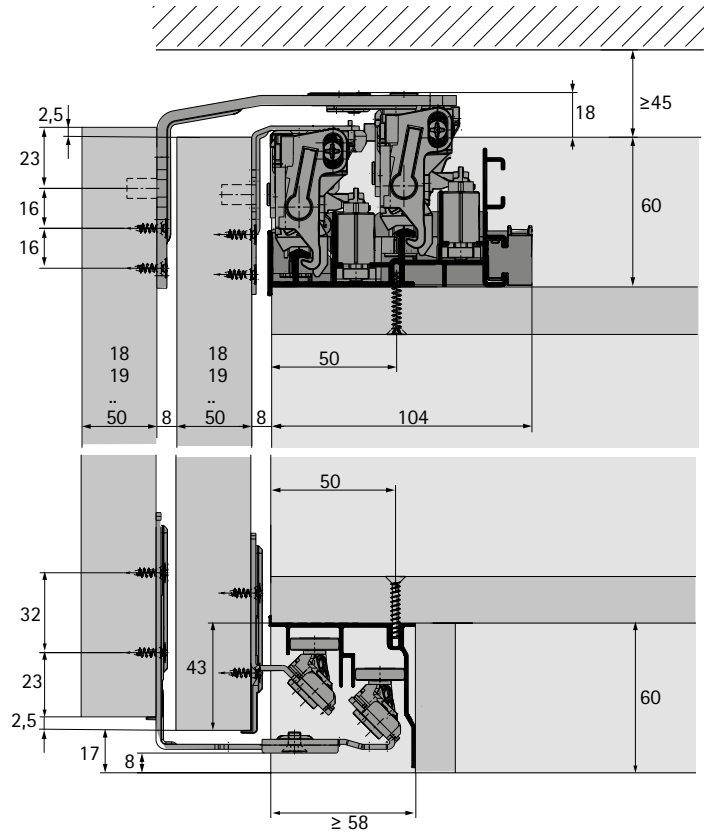


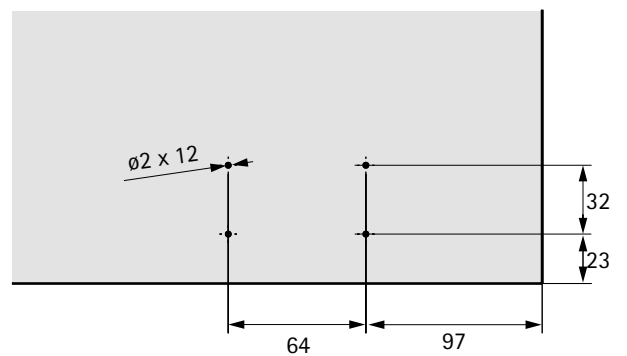
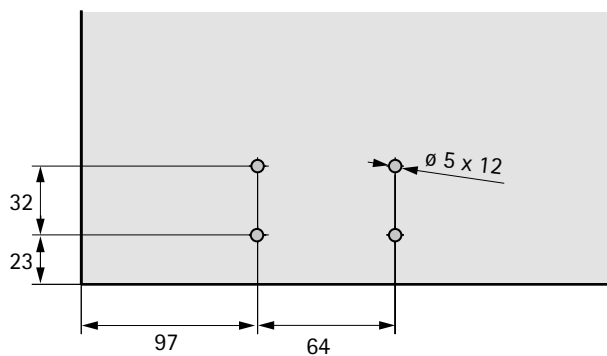
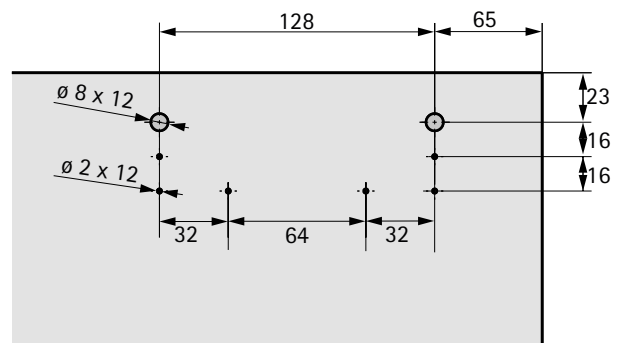
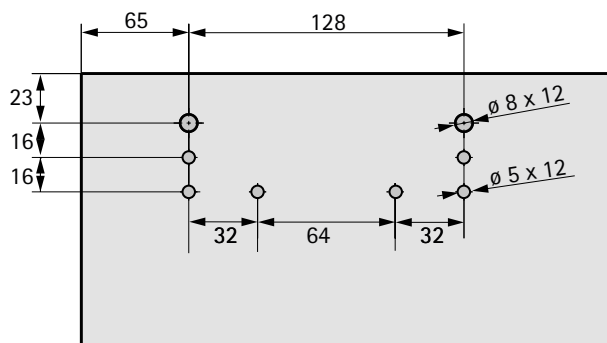
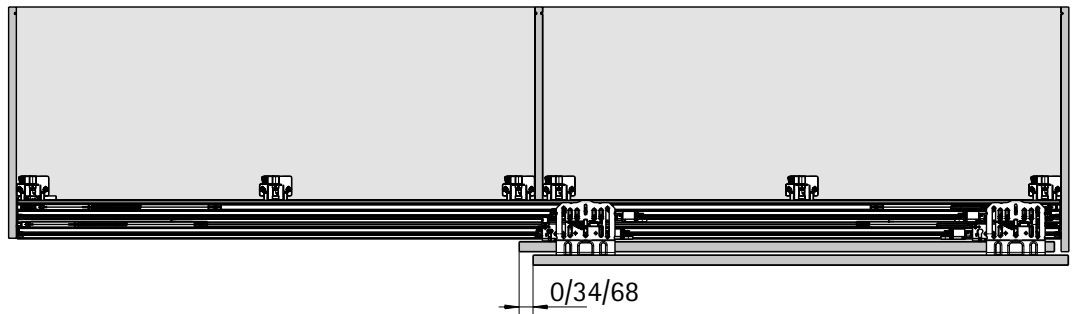
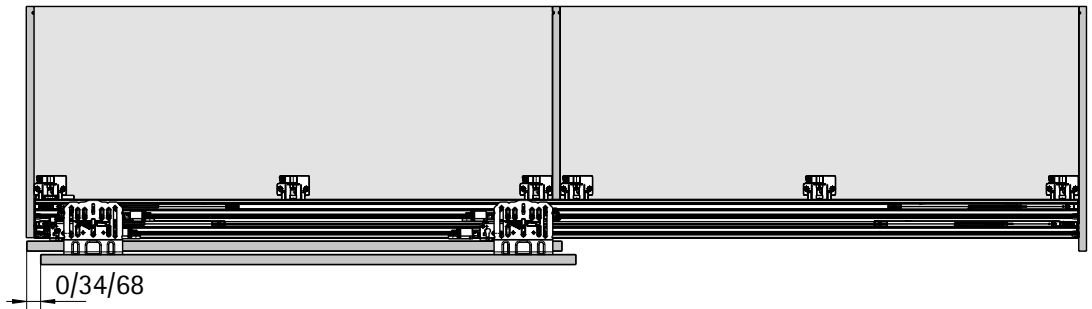
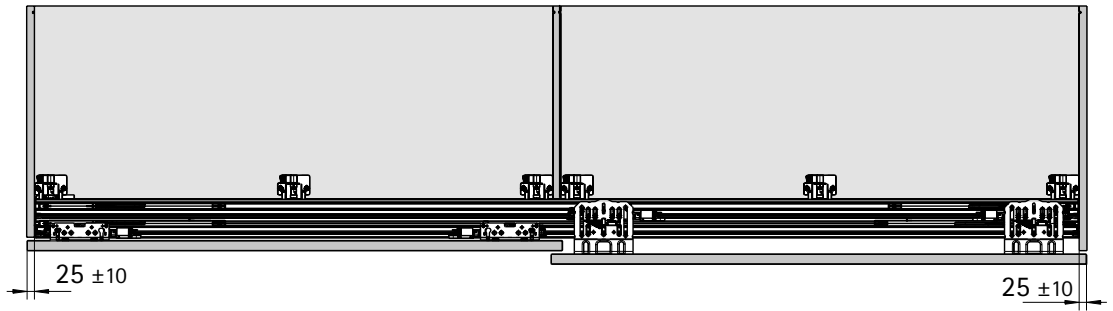


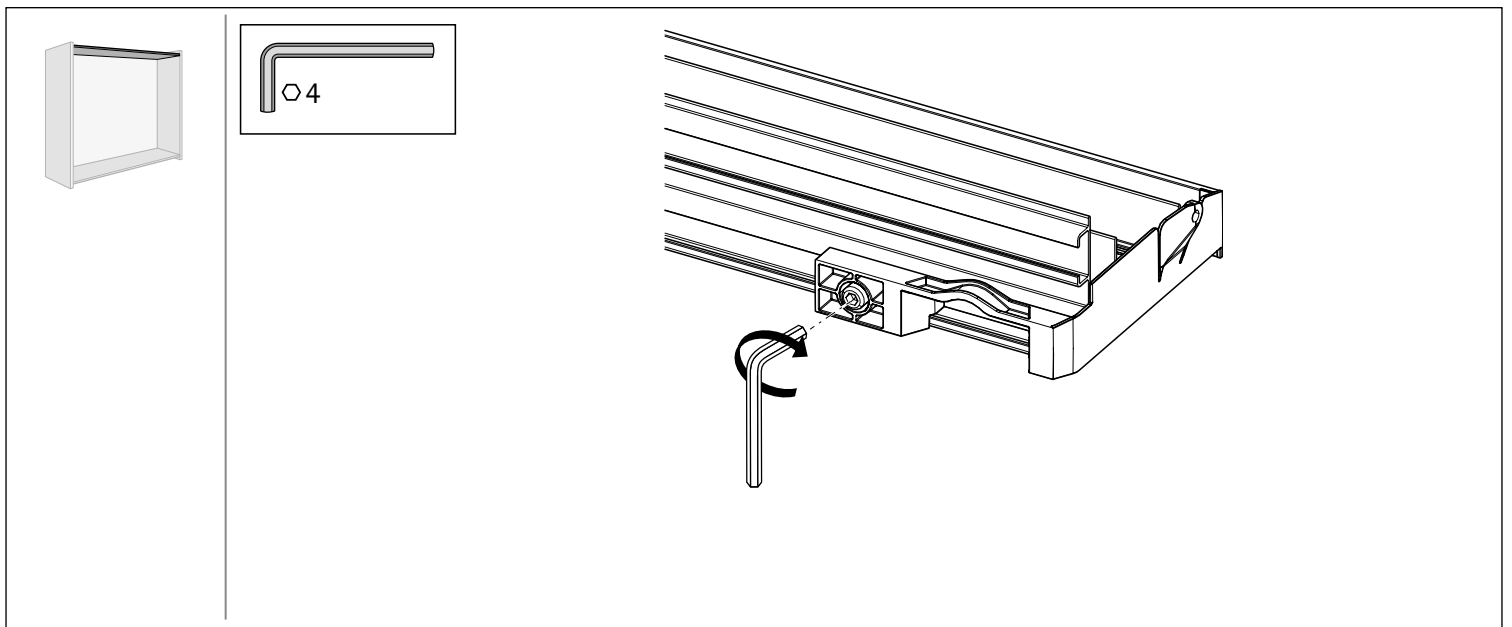
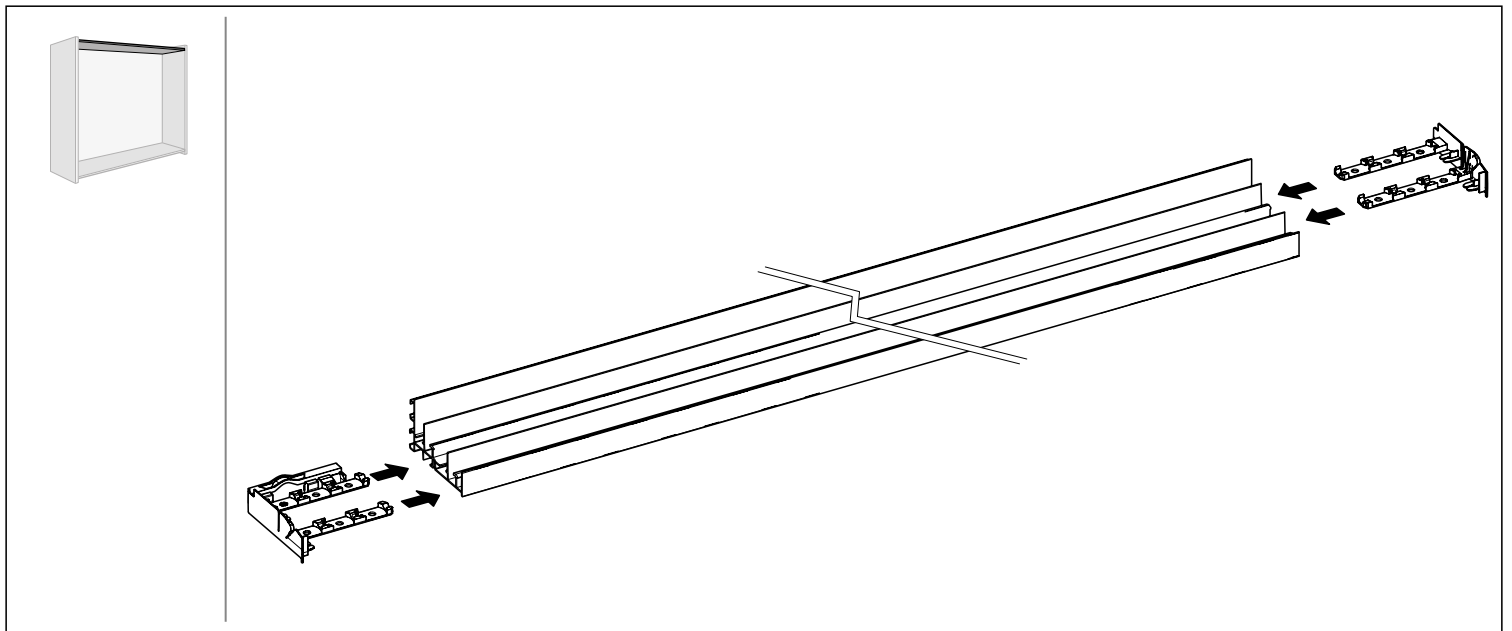
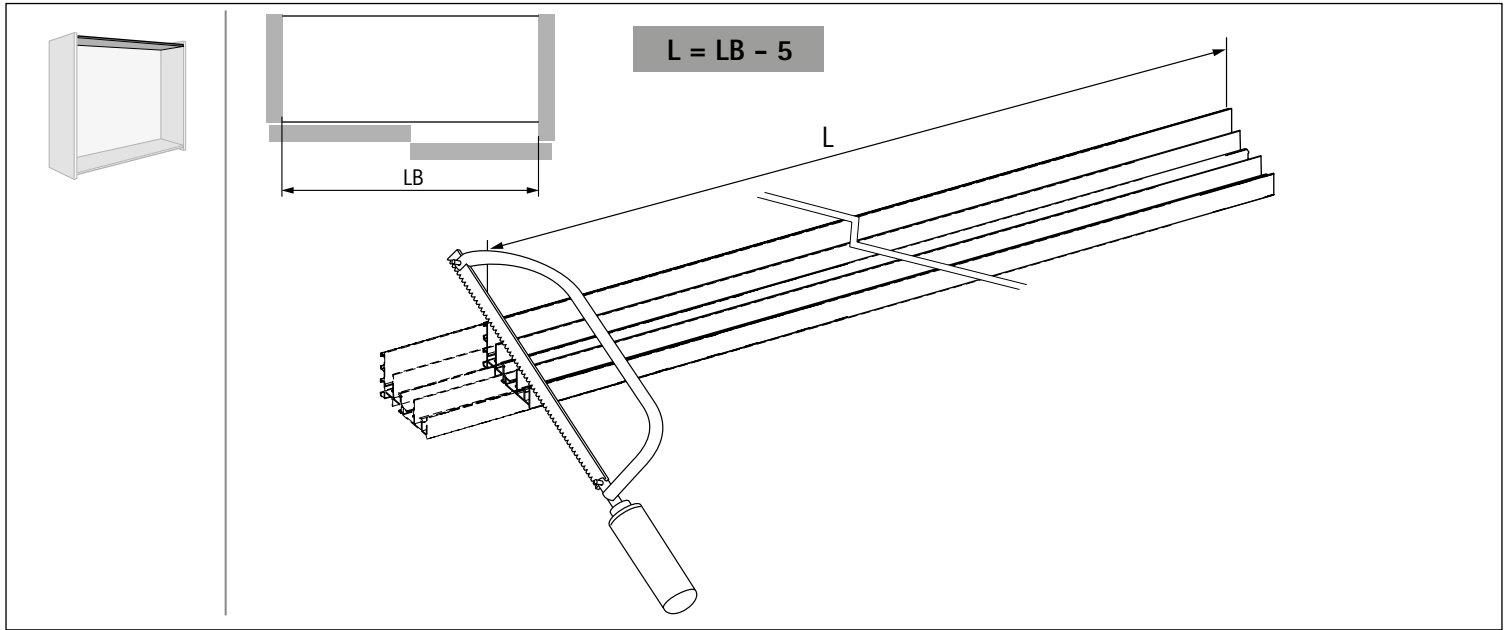
A

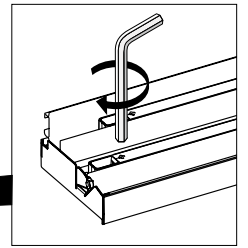
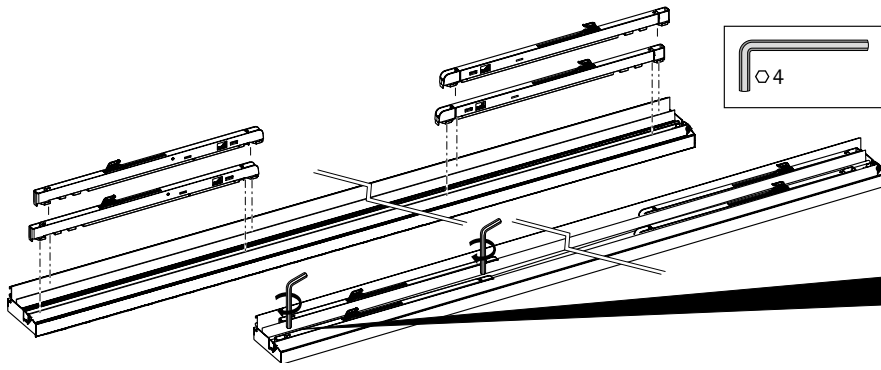


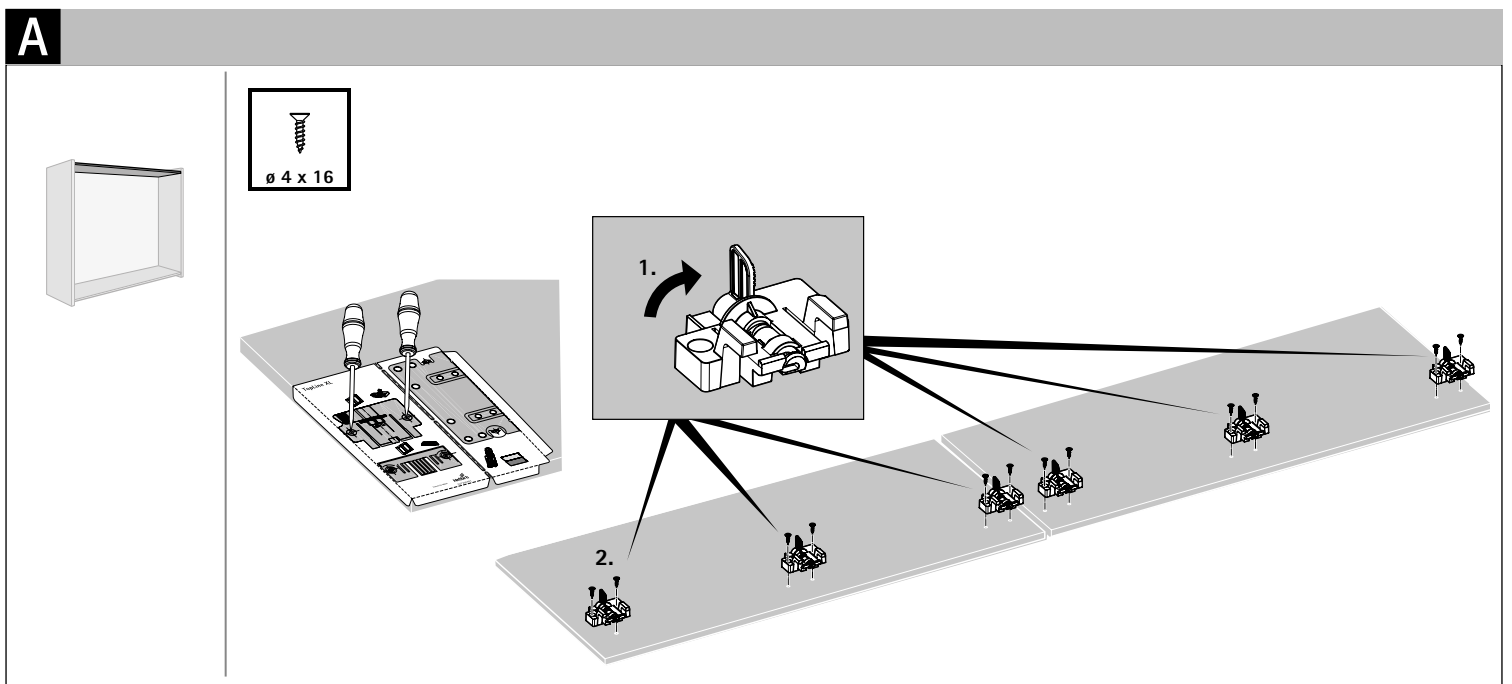
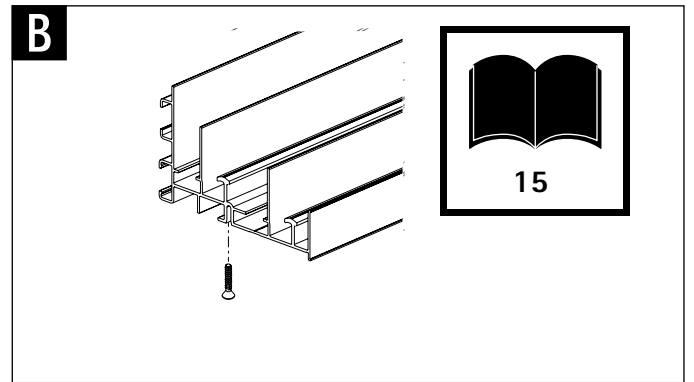
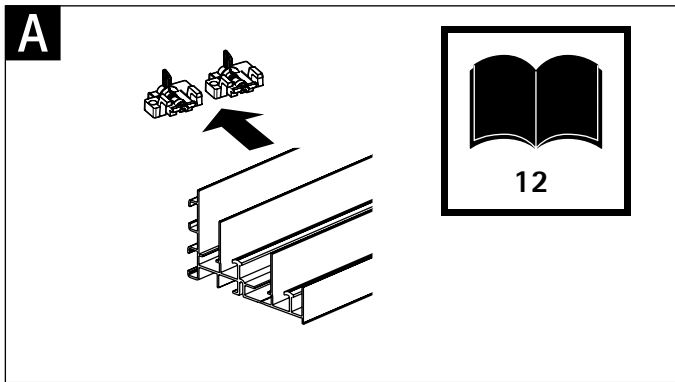
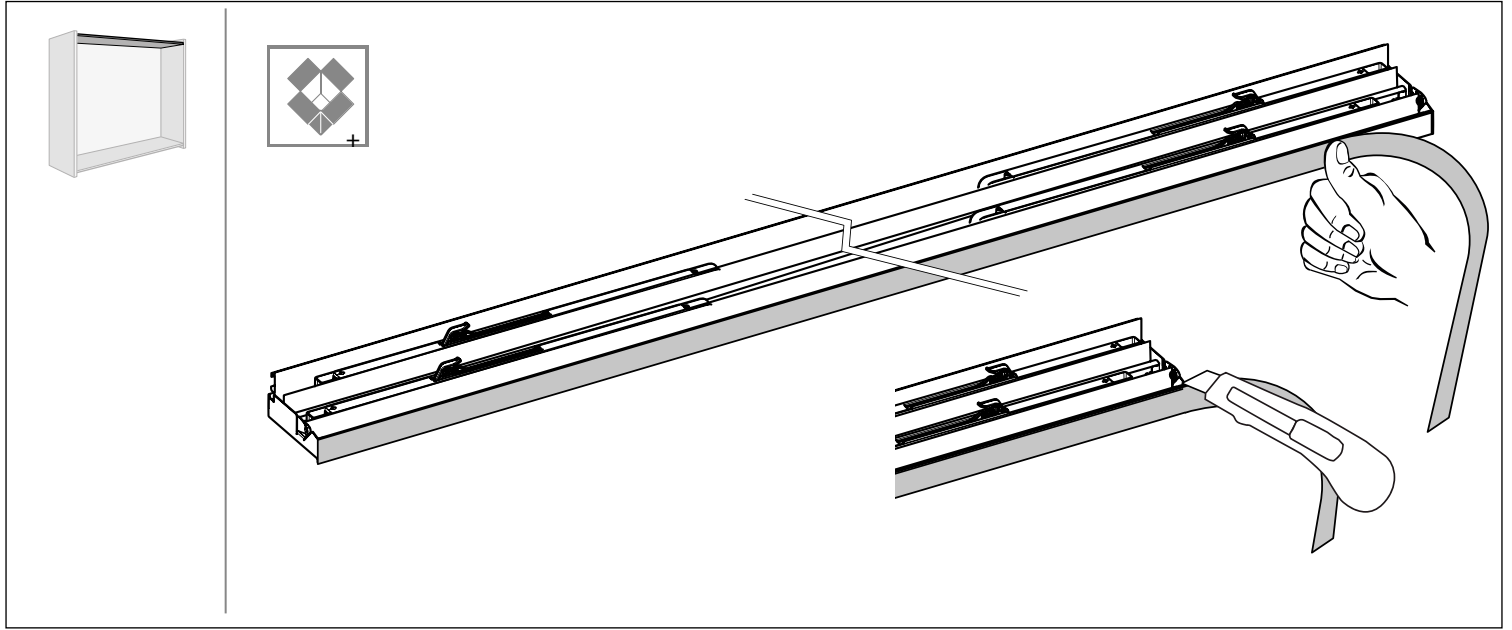
B

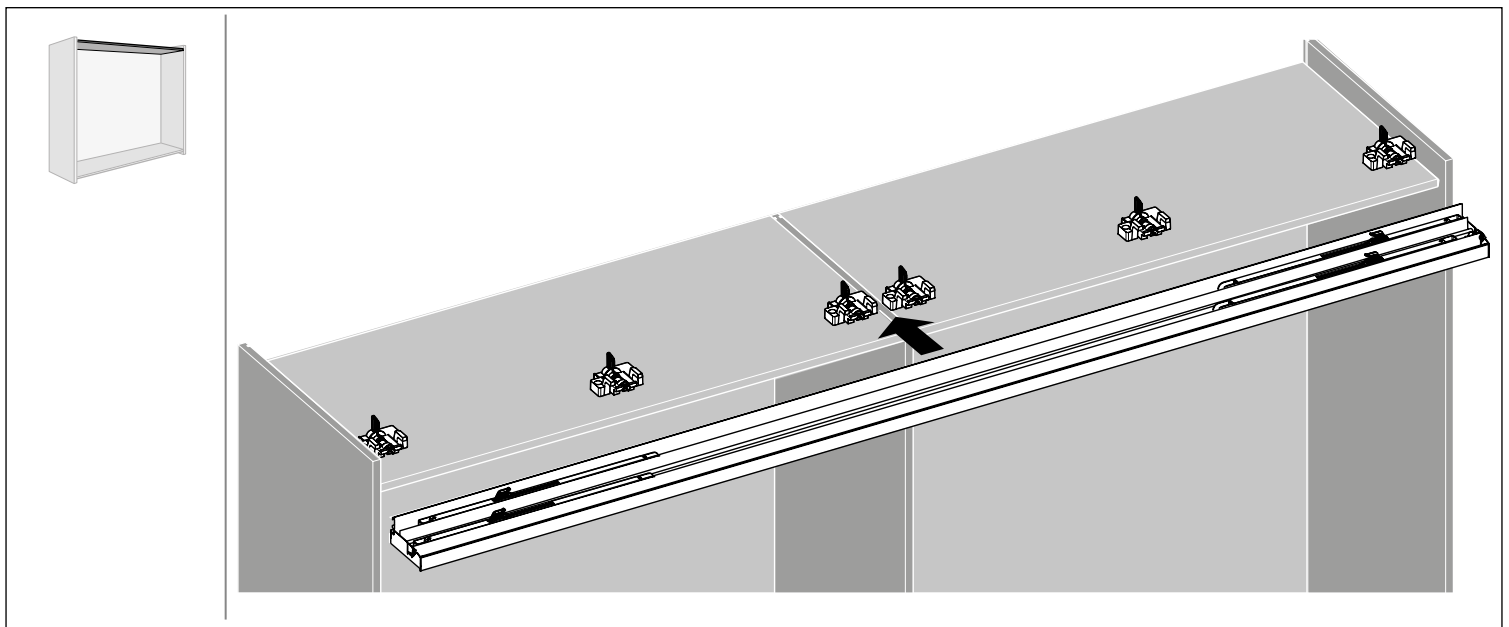
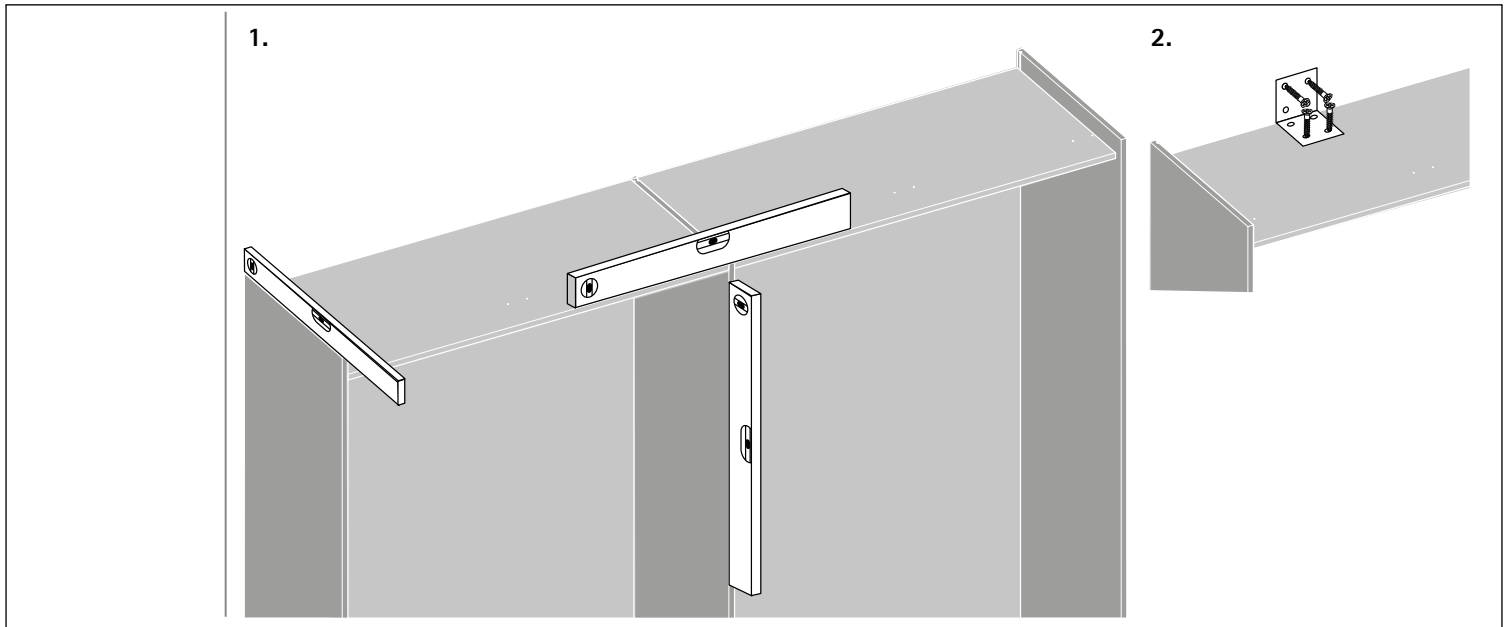
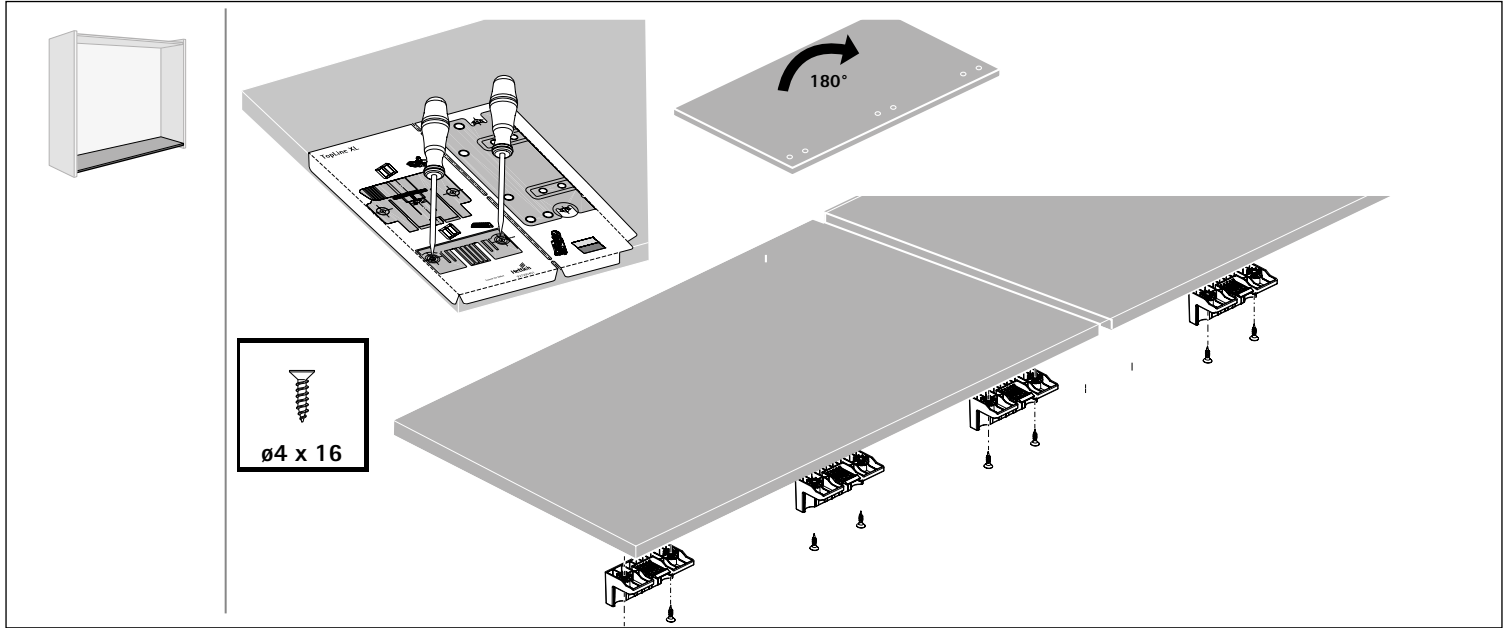


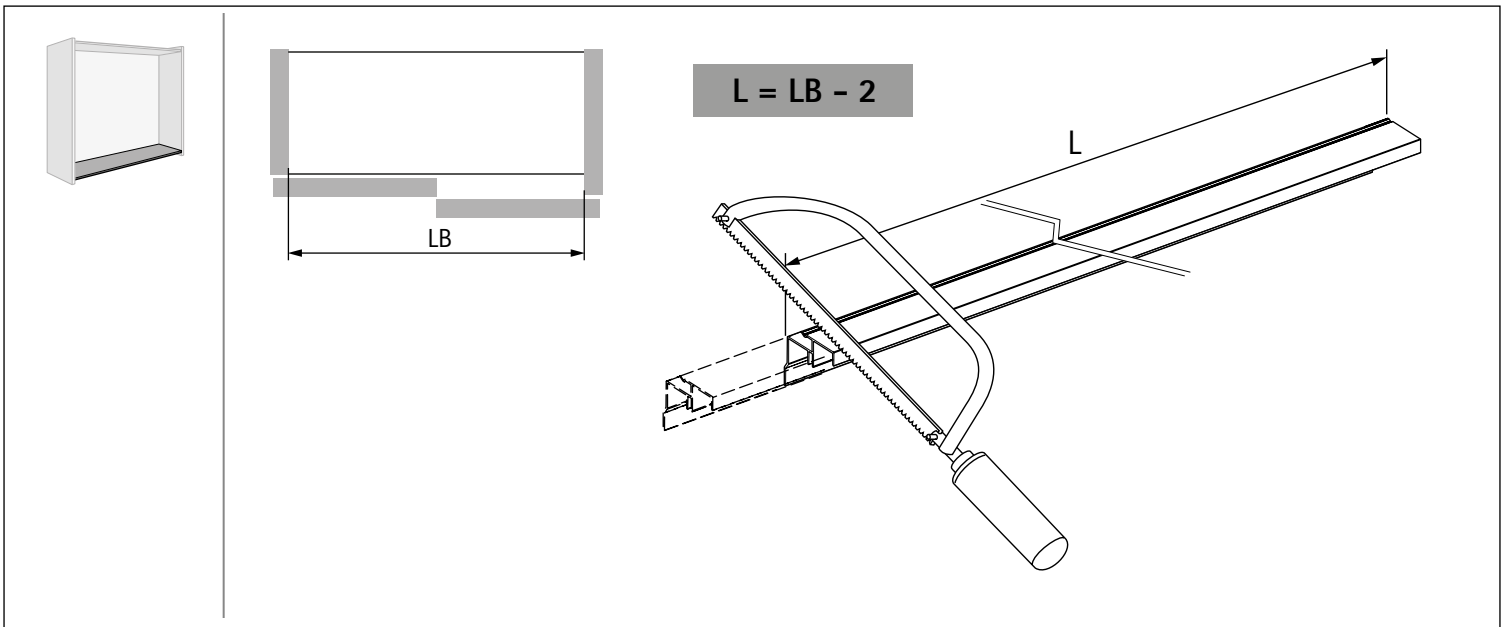
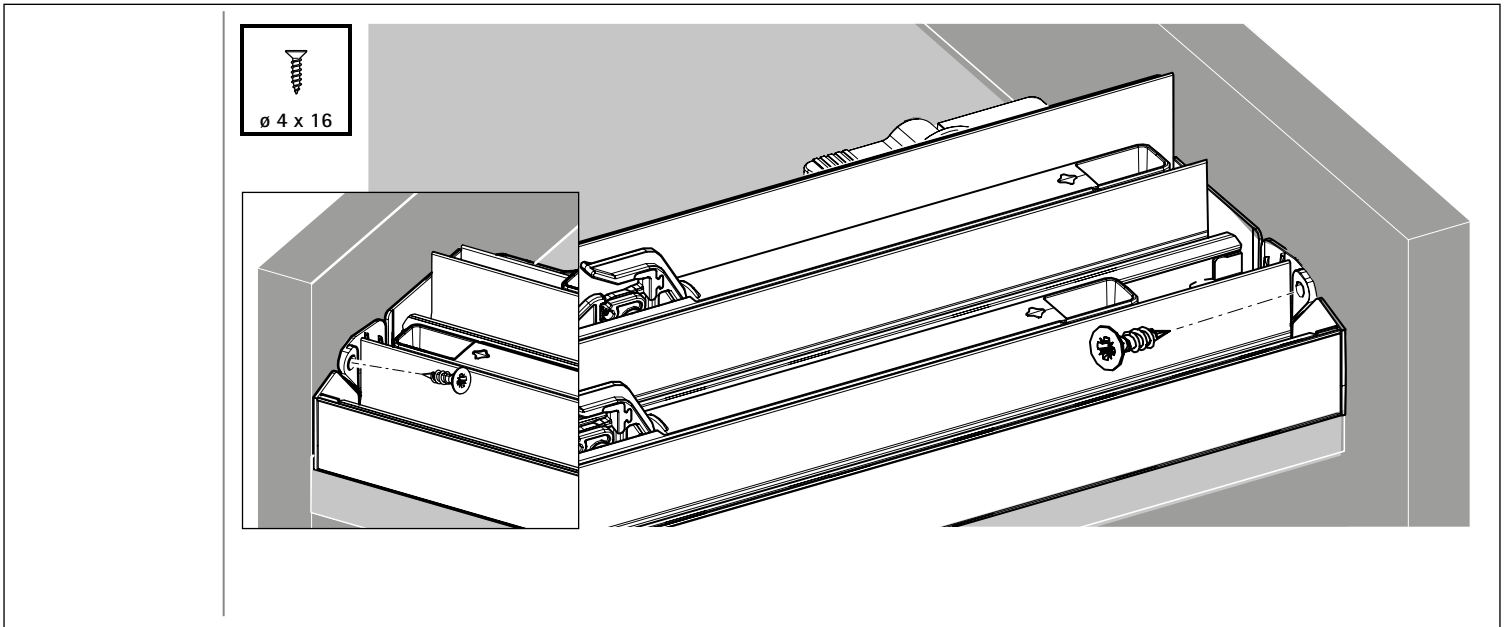
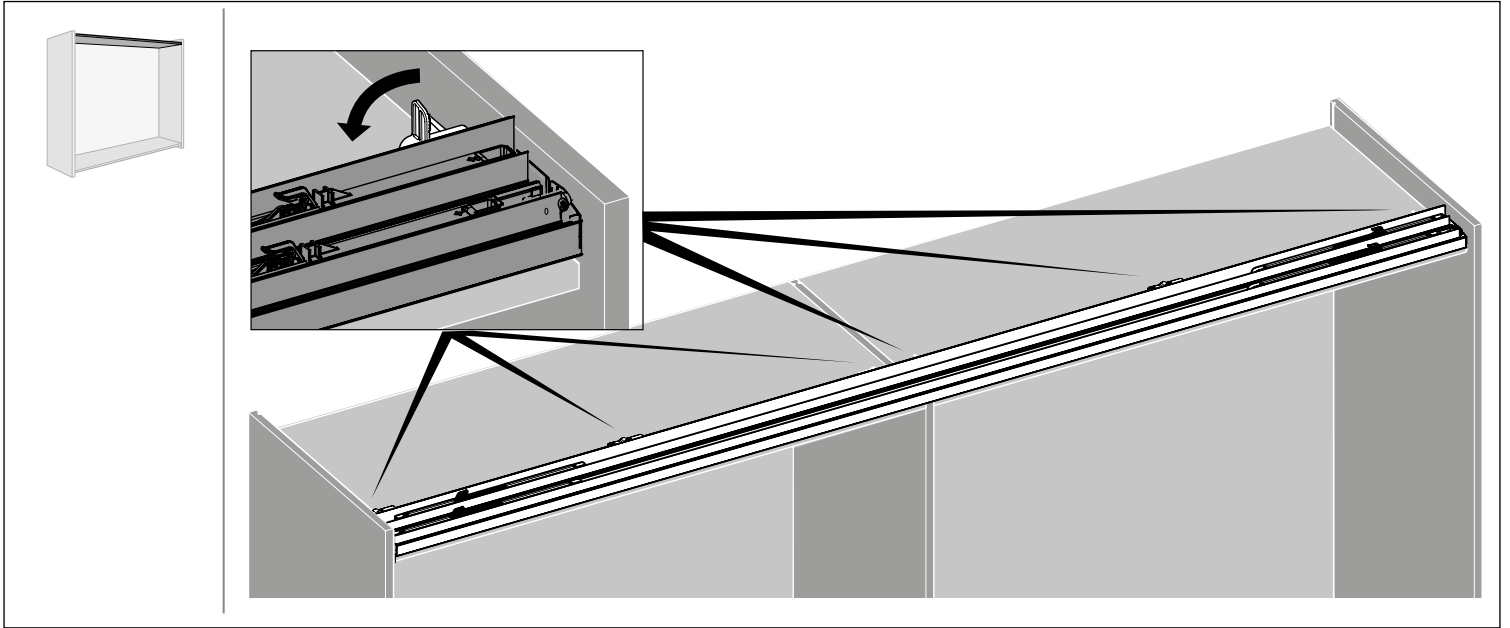


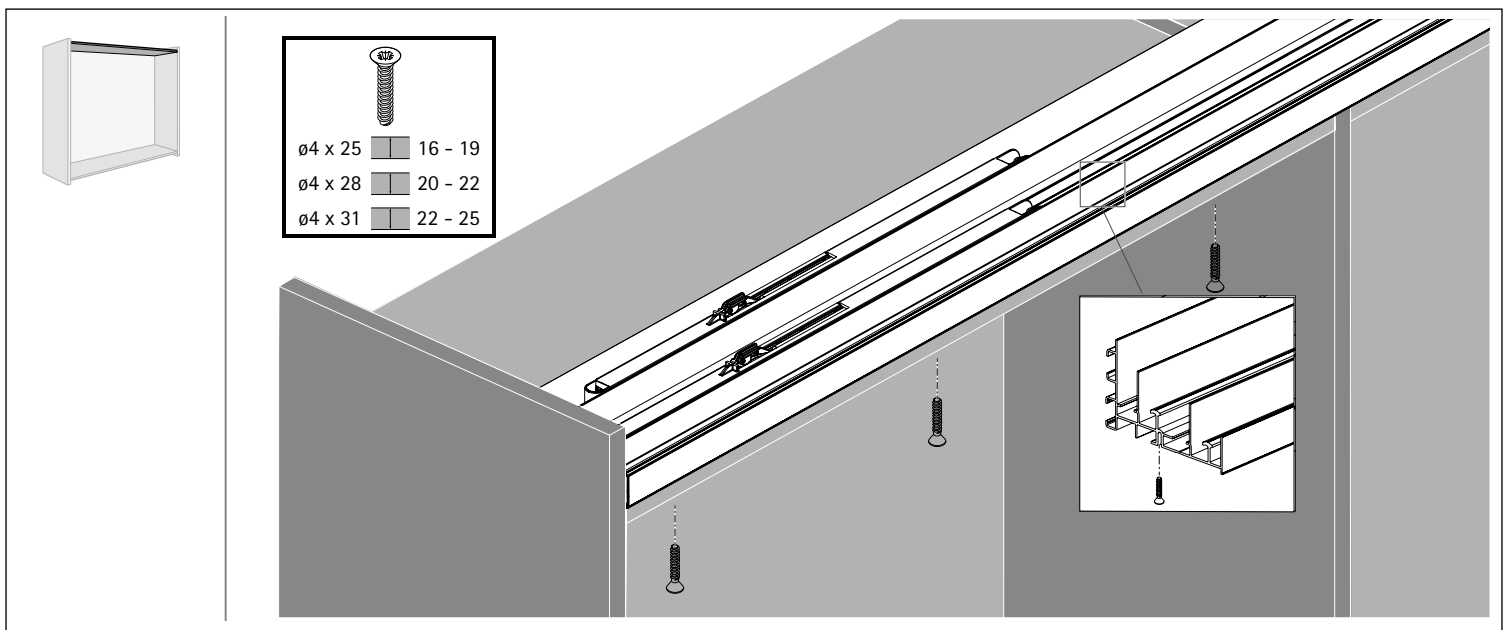
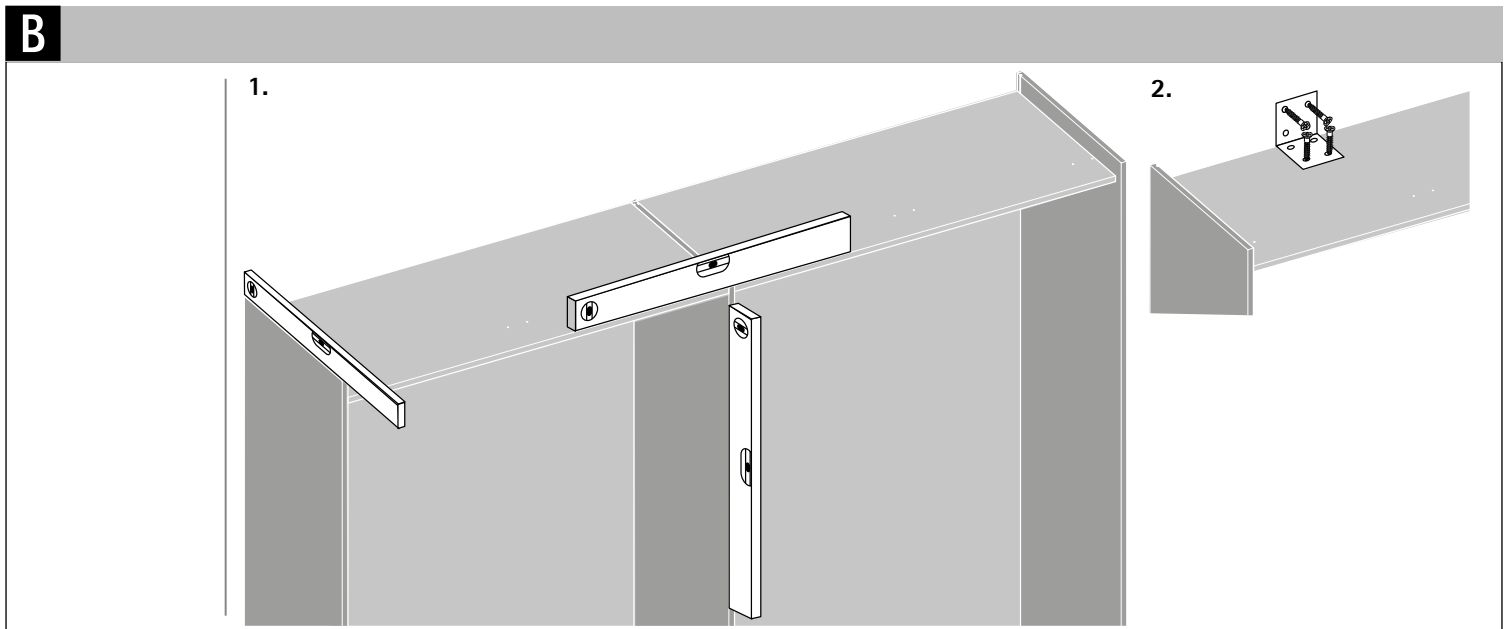
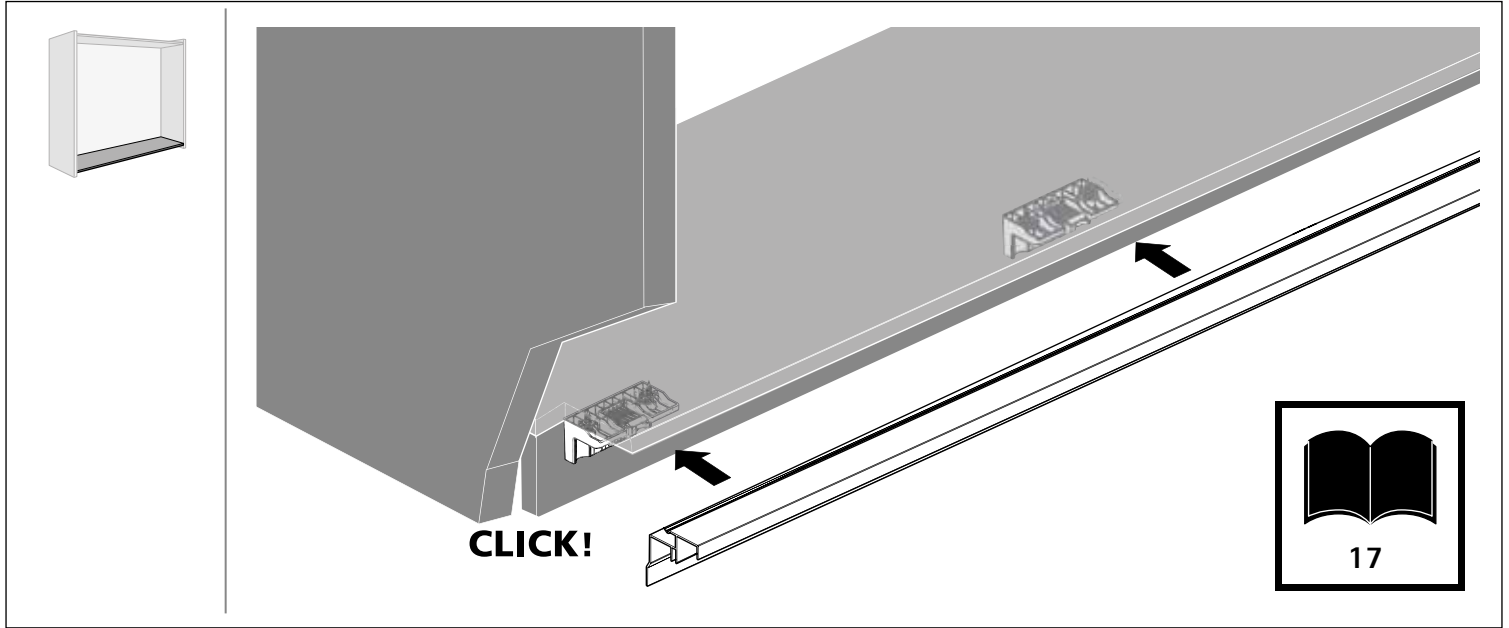


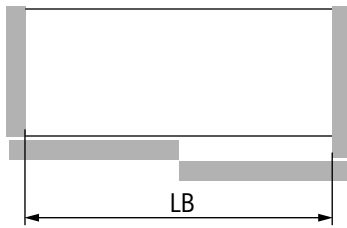
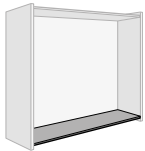
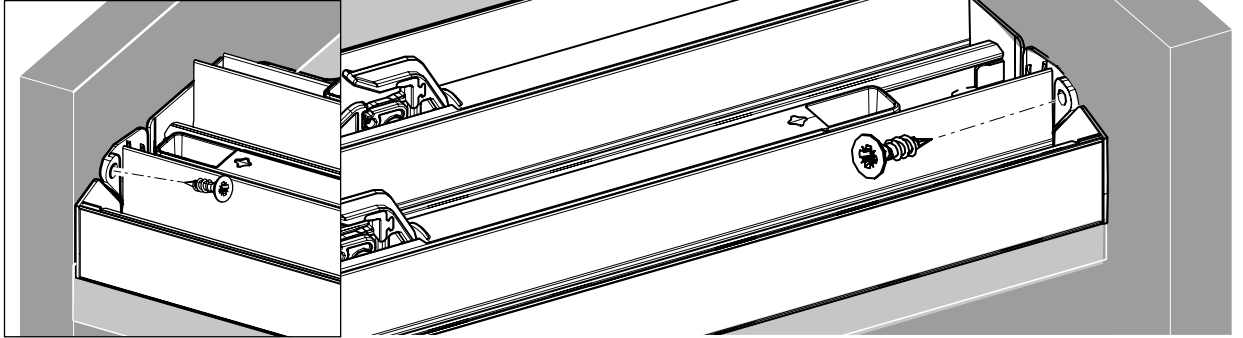




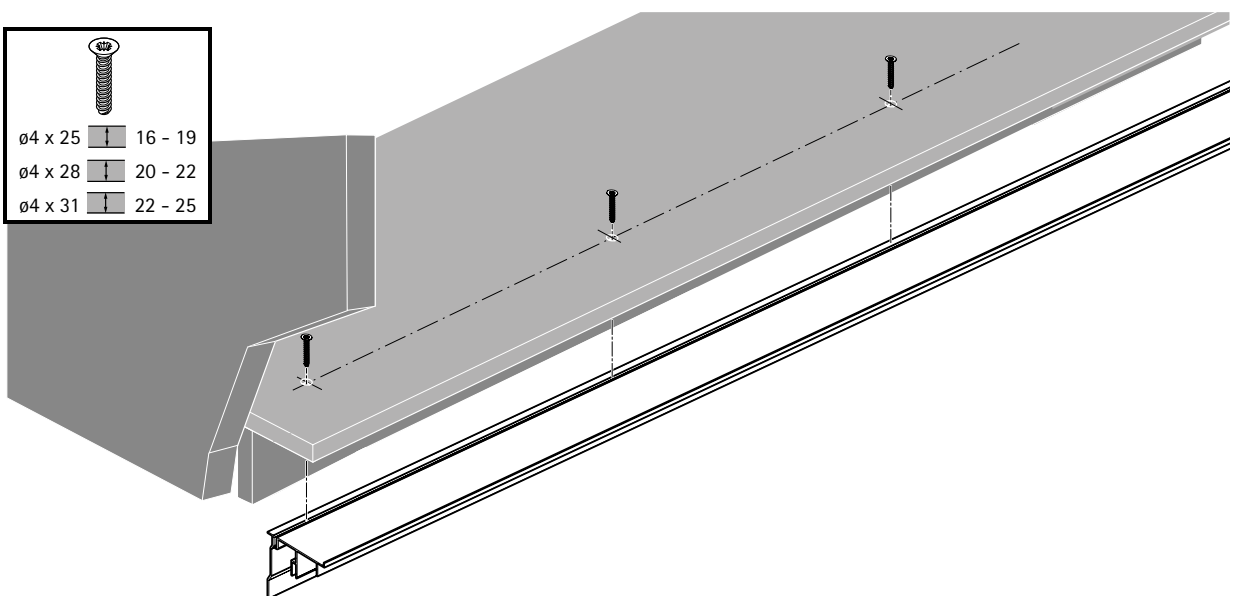
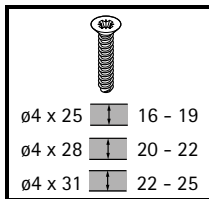
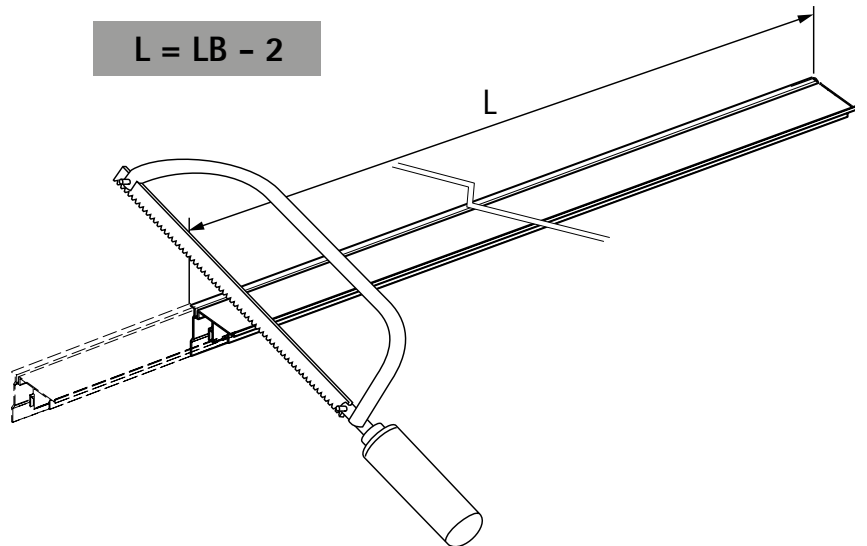


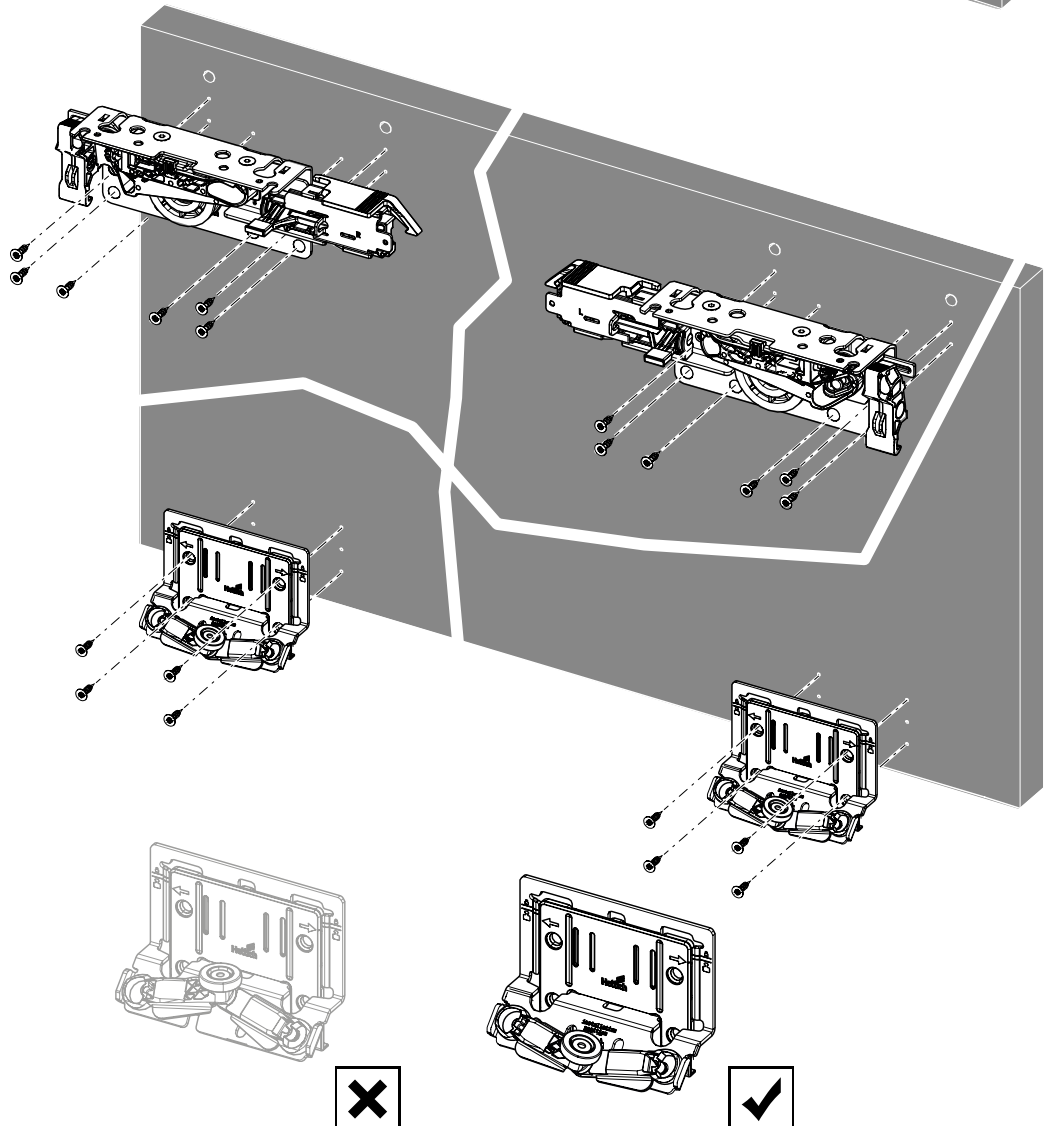
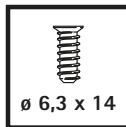
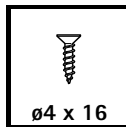
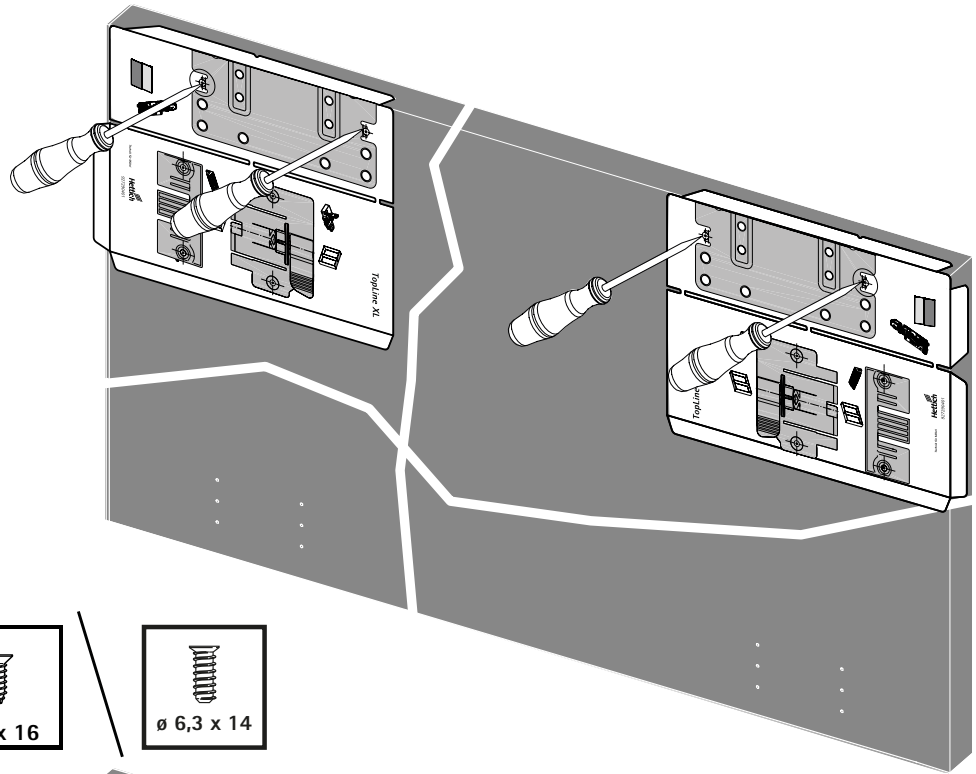
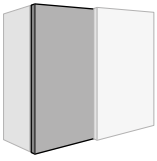


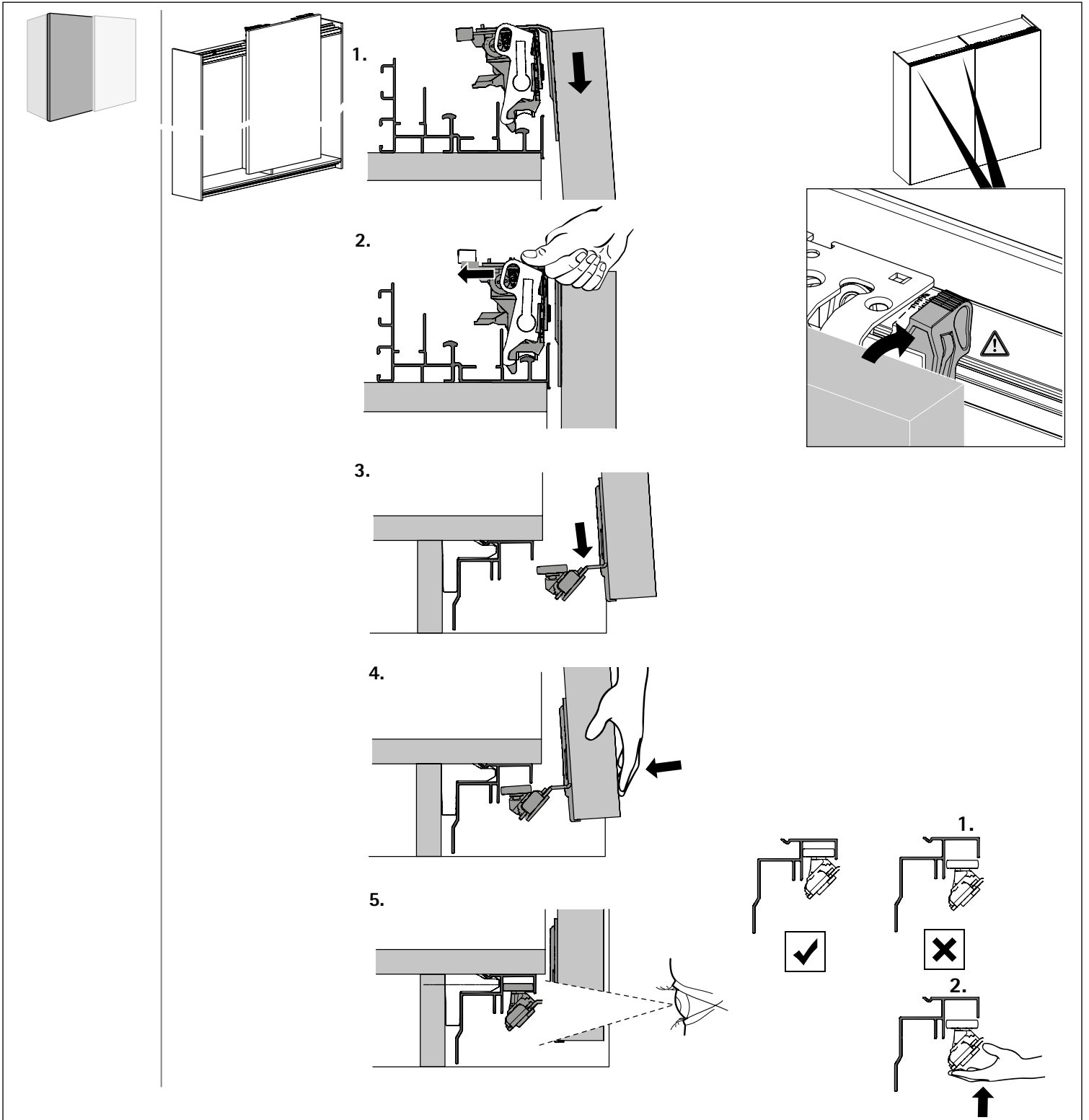
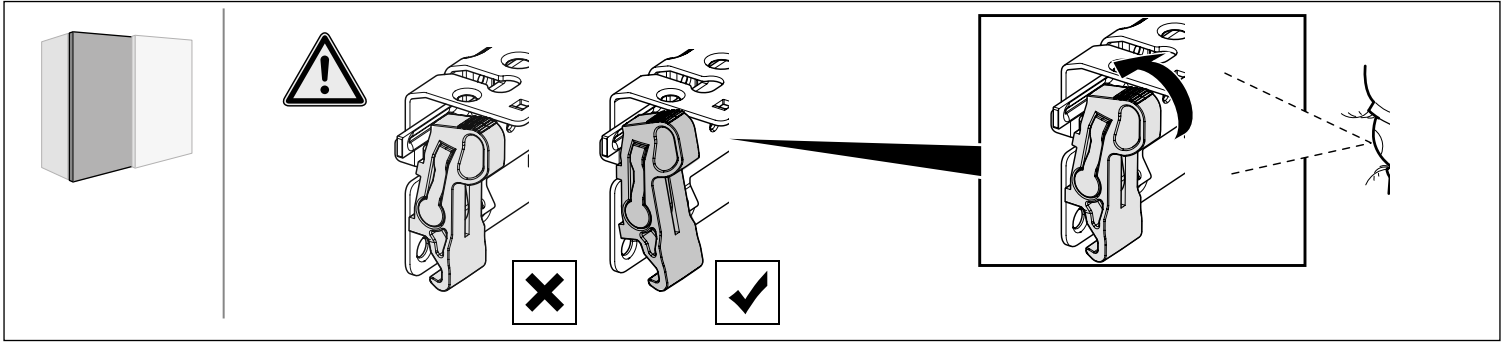


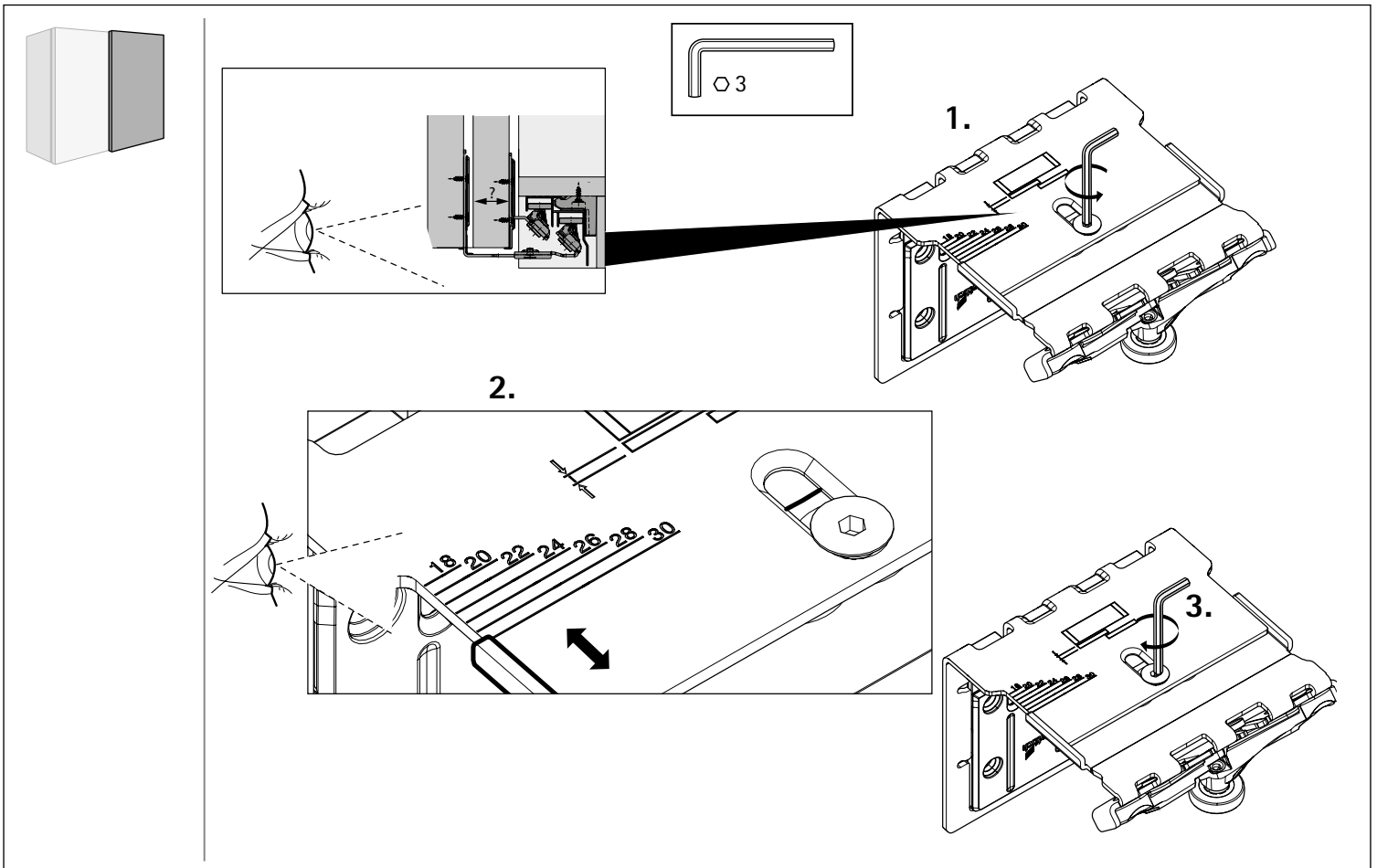
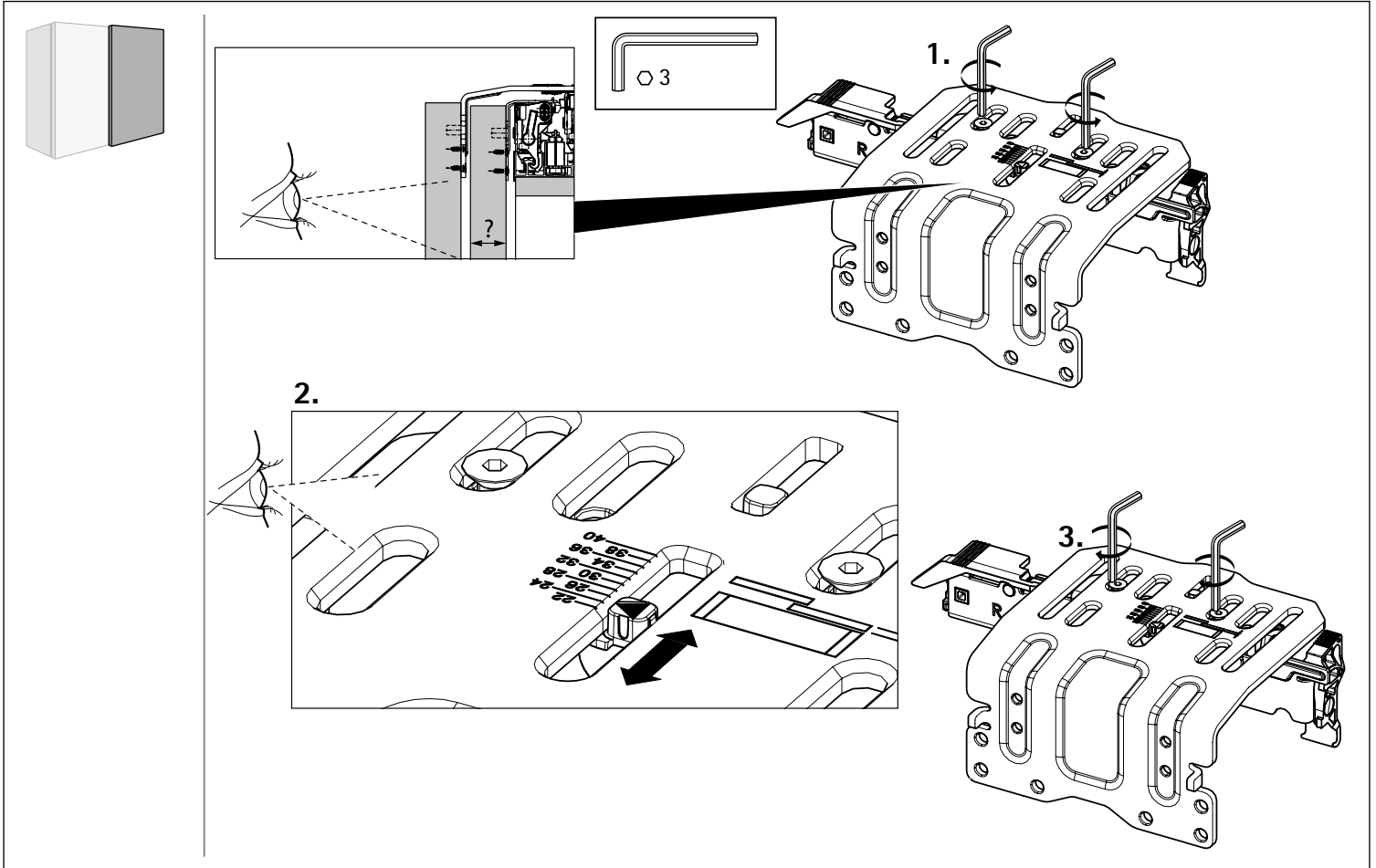


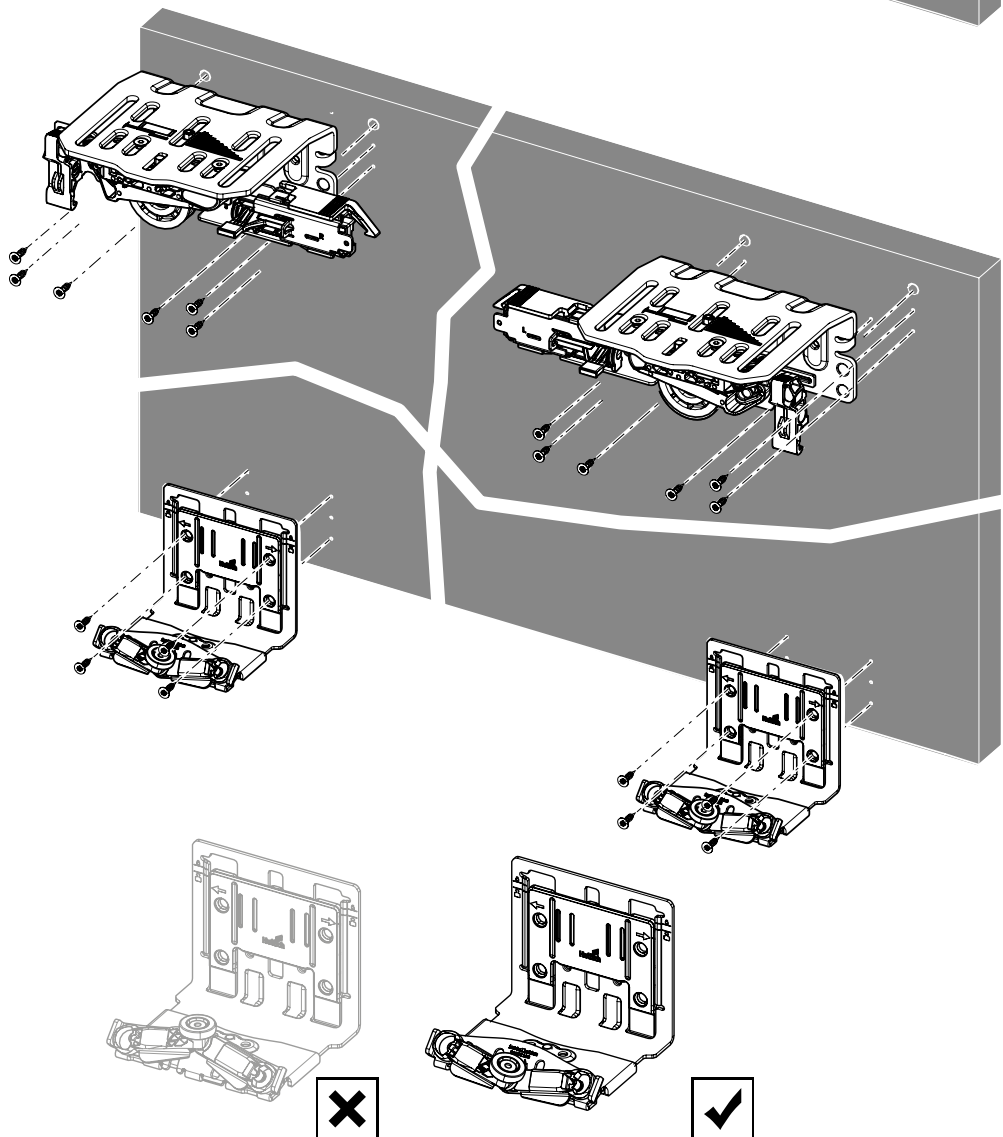
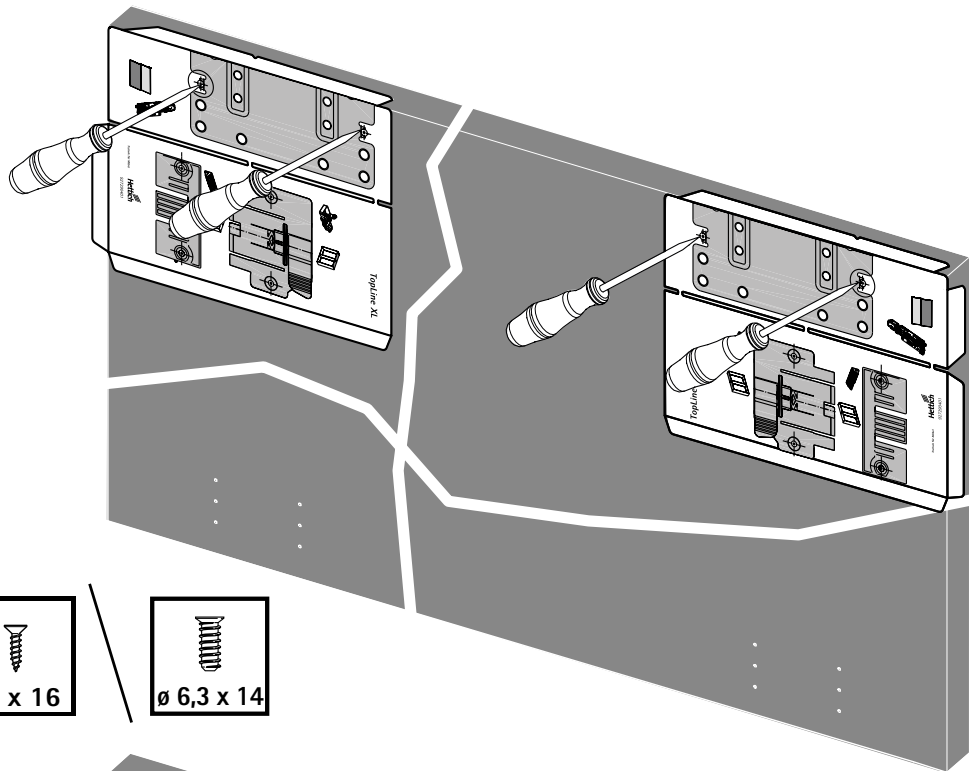
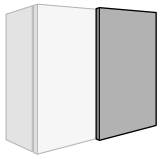
$$L = LB - 2$$

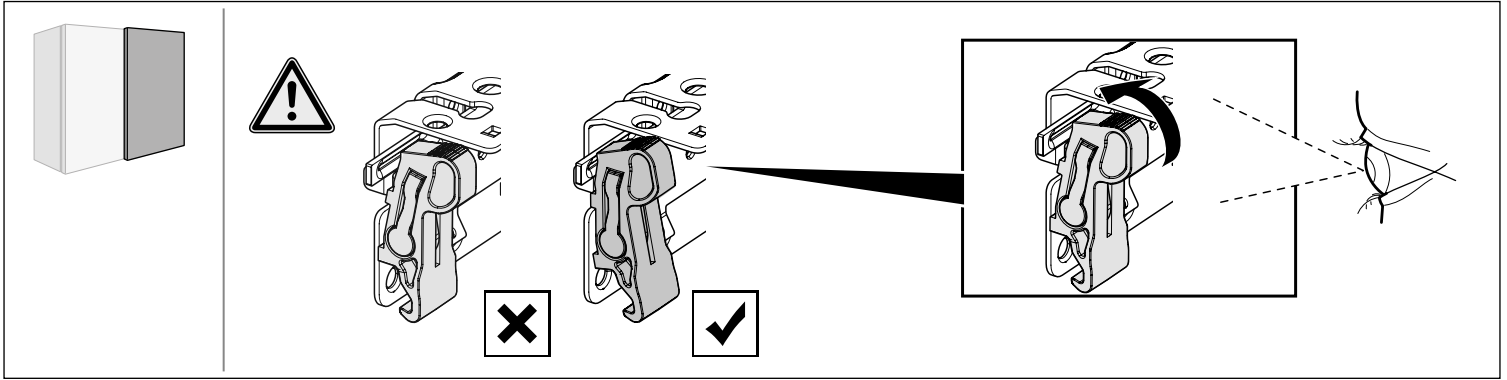














		 0		
	 34			
	 68			
	 34			
	 68			

